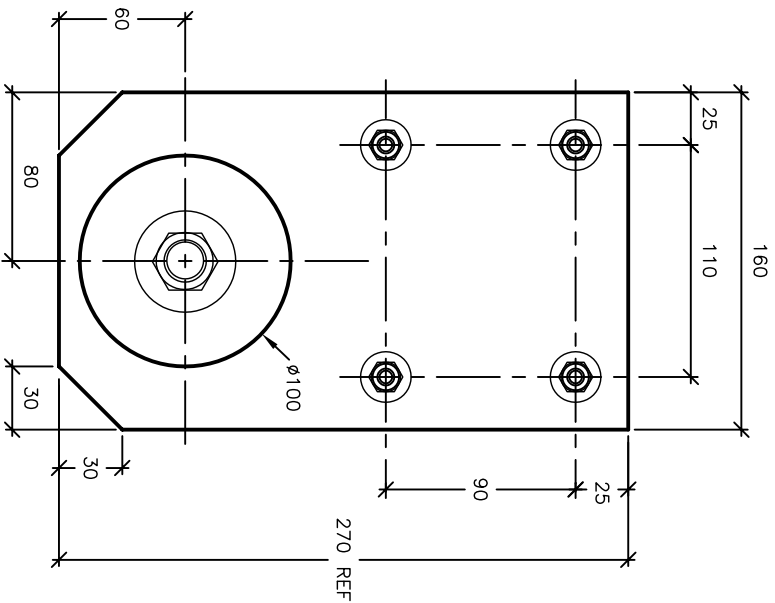
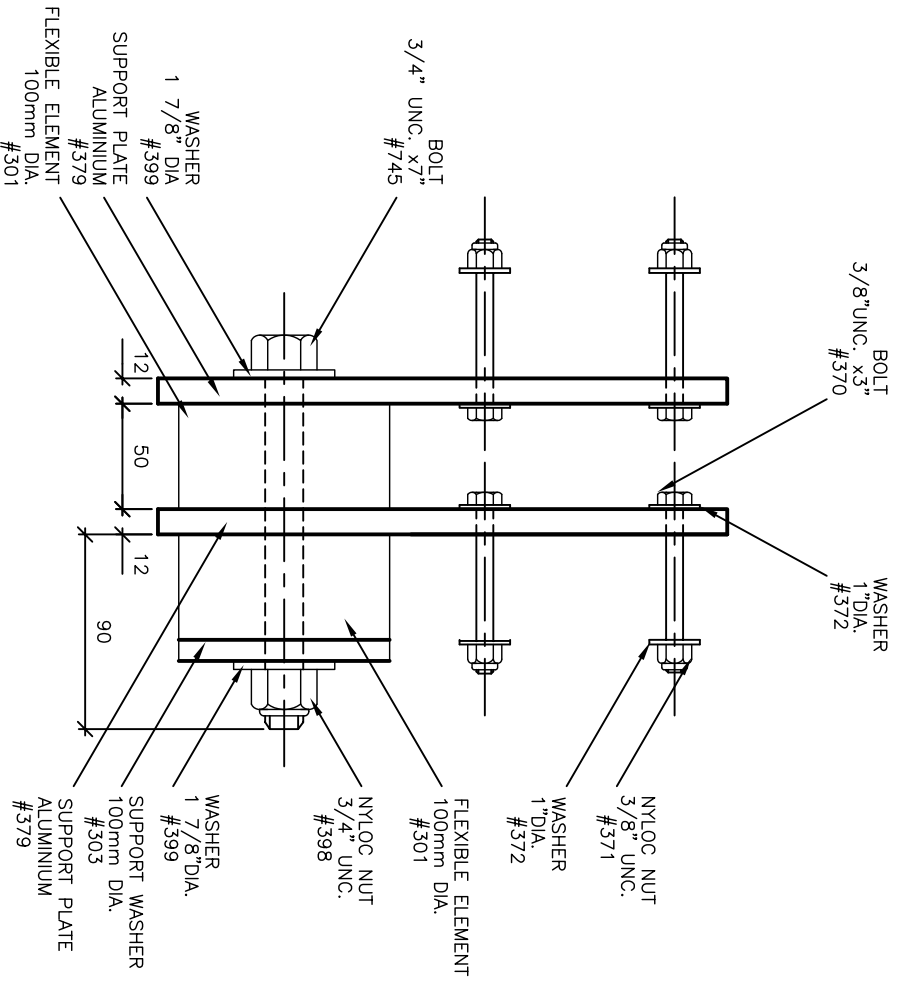


COPYRIGHT ALL RIGHTS RESERVED

FOR INSTALLATION DETAILS REFER TO A4-743

DO NOT SCALE.



COMTOR #400 IS USED TO COUPLE MARINA SECTIONS AND FINGERS TOGETHER.

NOTE -ALL FASTENERS ARE
CORROSION RESISTANT
STAINLESS STEEL.
-THIS DRAWING IS THE
REDESIGNED COMTOR
#400, AS OF 16.8.95

**MARINE DOCK SYSTEMS
PTY LTD**

**COMTOR COUPLING
ASSEMBLY**

**COMTOR
#400**

TOLERANCES		SCALE		N.T.S.		DRAWING No.	
LINEAR	±1.0	DRAWN	J.P.M			A4-400	
ANGULAR	±0.2	DATE	11.4.96	REV	B		
HOLE CTRS	±0.5						