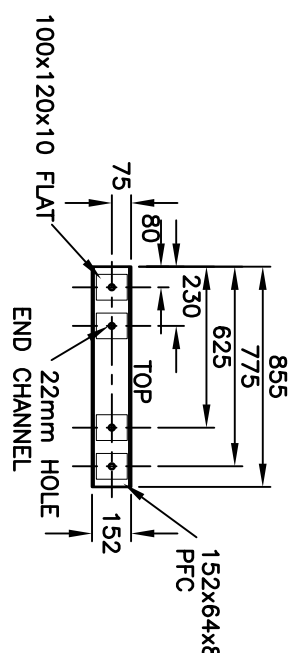
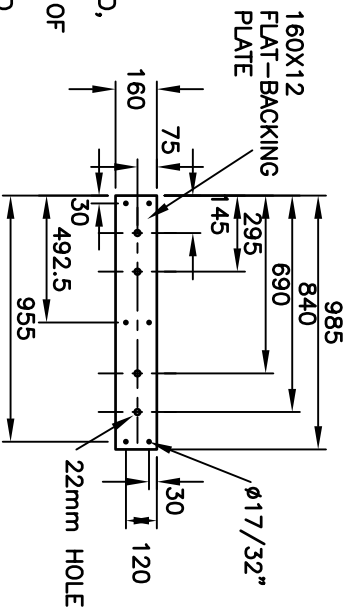


NOTE:
 -ALL STRUCTURE IS FULLY WELDED WITH A NOMINAL FILLET OF 5mm
 -ALL EXTRUSIONS ARE OF GRADE 6063-T5 OR EQUIVALENT.
 -FILLER ALLOY IS GRADE 5356
 -ALL TIMBER IS TO BE TREATED WITH A SUITABLE PRESERVATIVE.
 (DECKING OIL ETC)
 -ALL FASTENERS ARE CORROSION RESISTANT STAINLESS STEEL.
 -ALL EXPOSED BOLTS ARE TO BE RECESSED INTO THE TIMBER BY COUNTER BORING.
 -ALL BOLT THREADS ARE TO BE TREATED WITH ANTI-SIEZE OR EQUIVALENT LUBRICATING COMPOUND, PRIOR TO FASTENING.
 -THIS DRAWING IS FOR A PONTOON OF TYPICAL DESIGN. ENGINEERING EVALUATION SHOULD BE PERFORMED FOR THE PONTOONS SUITABILITY FOR EACH PARTICULAR INSTALLATION.



MARINE DOCK SYSTEMS

PTY LTD

7.0m x1.055m
FINGER

PONTOON-3194



SCALE	N.T.S.	DWG	A4-3194	
DRAWN	JPM	REV	A	16,12,05
DATE	16,12,05	CHK		App'D