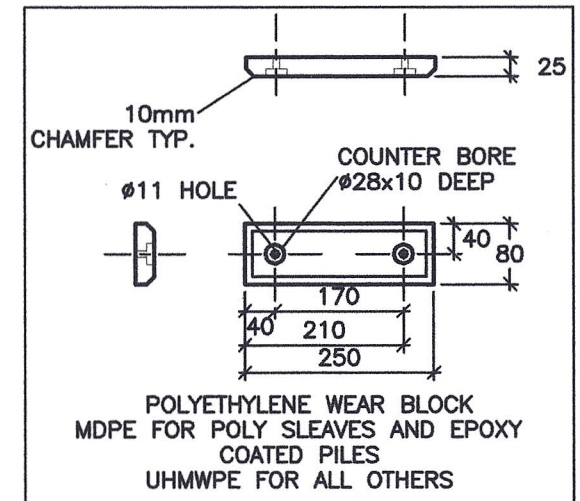


NOTE—ALL STRUCTURE IS FULLY WELDED  
WITH A FILLET OF 5mm  
—FILLER ALLOY IS GRADE 5356.  
—ALL ESTRUSIONS ARE GRADE  
6063-T5 OR EQUIVALENT.



SUIT CONCRETE, STEEL, PLASTIC SLEAVED AND TIMBER PILES

**MARINE DOCK SYSTEMS  
PTY LTD**

OUTSIDE PILE  
GUIDE-2100 FINGER

FABRICATION  
DETAIL



SCALE	N.T.S.	DWG	<b>A4-2968-2</b>	
DRAWN	J.P.M	REV	B	14,4,03
DATE	14,4,03	CHK		APP'D