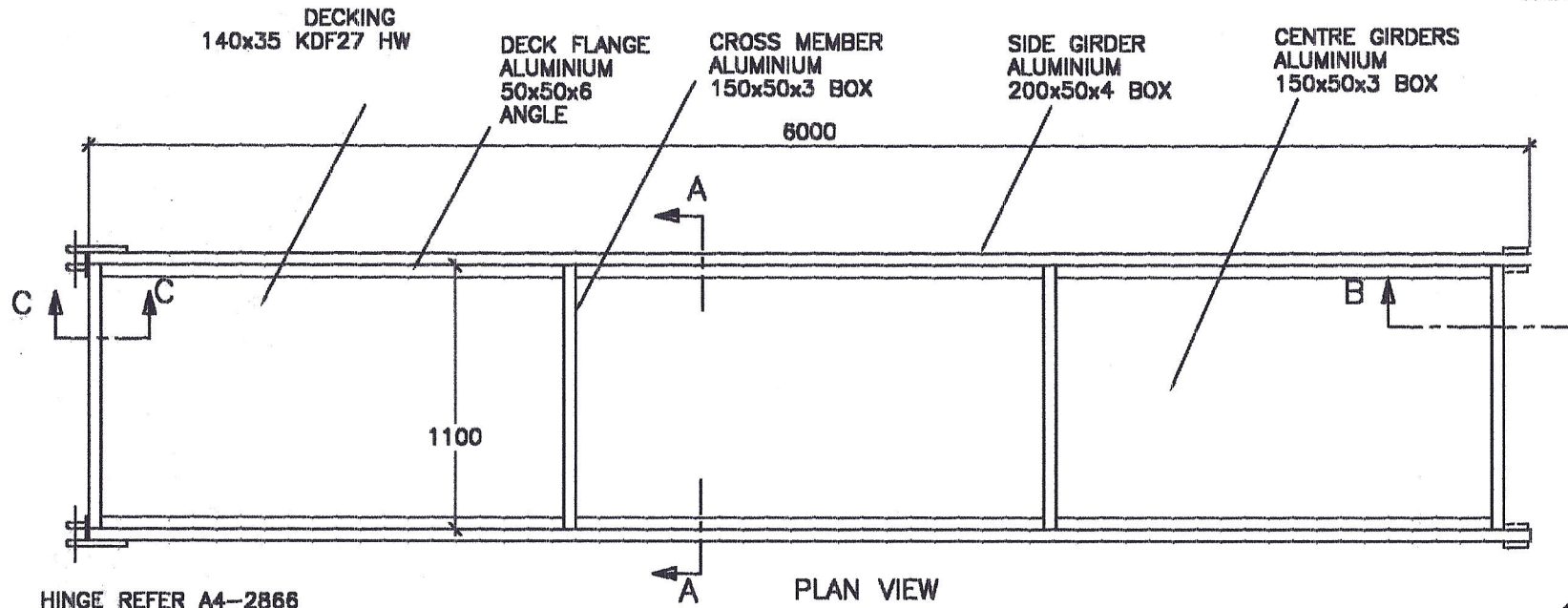
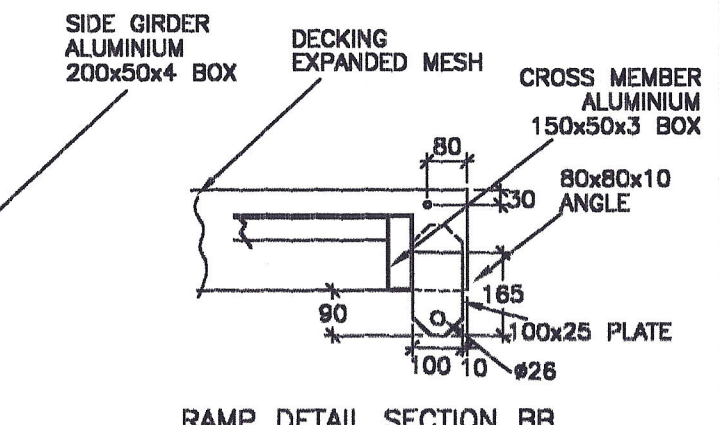
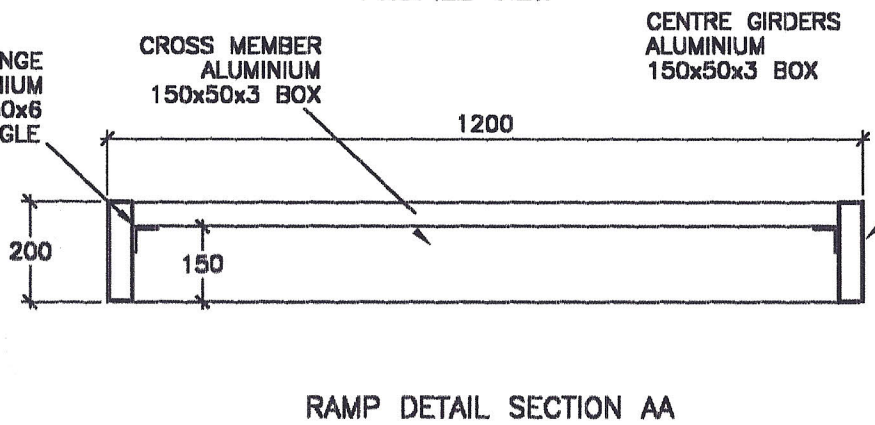
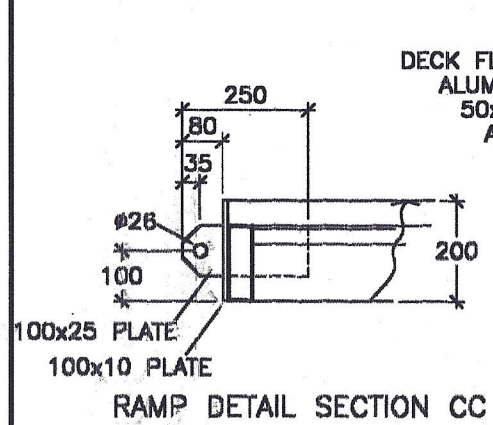


MATERIAL—ALL EXTRUSIONS ARE GRADE 6063-T5 OR EQUIVALENT.  
 —ALL STRUCTURE IS FULLY WELDED WITH A NOMINAL FILLET OF 5mm.  
 —FILLER ALLOY IS GRADE 5356.  
 —3/8" DRAIN HOLES TO BE DRILLED IN THE UNDERSIDE OF ALL MEMBERS



END TO BE PLATED IN



**MARINE DOCK SYSTEMS  
 PTY LTD**

1.2m x 6.0m  
 ALLOY -TIMBER RAMP  
 WITH PLATE

RAMP-2961



SCALE	N.T.S.	DRAWING No.	
DRAWN	J.P.M	<b>A4-2961</b>	
DATE	9/1/03	REV	A