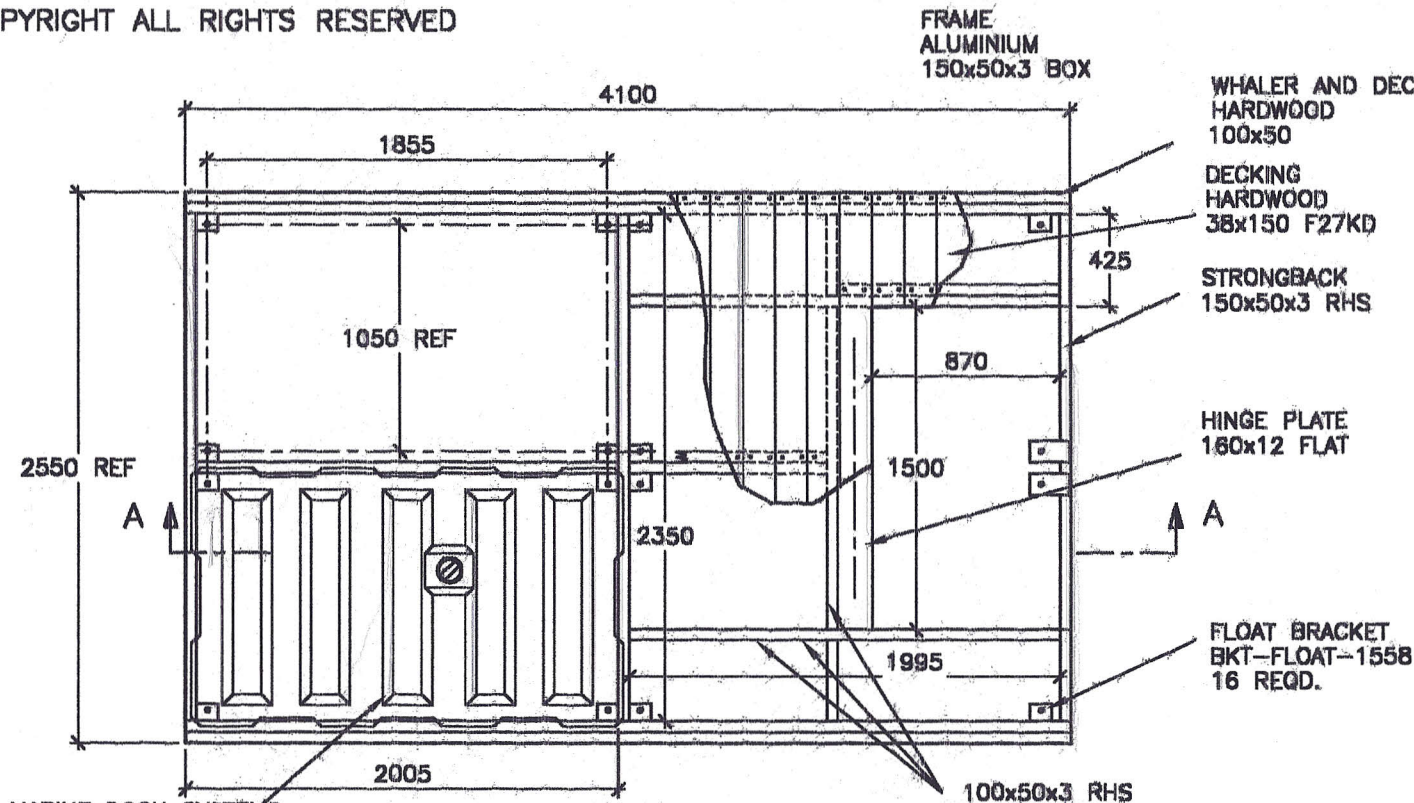


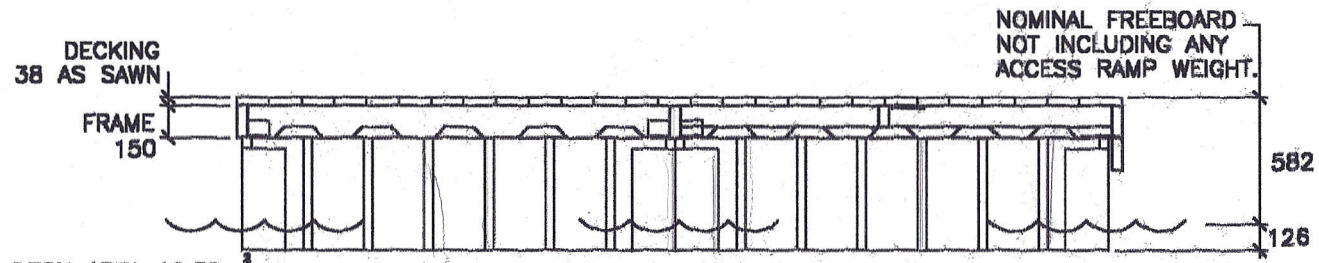
COPYRIGHT ALL RIGHTS RESERVED

DO NOT SCALE



MARINE DOCK SYSTEMS
FLOTATION MODULE
FLO1200-190
4 REQD.

PLAN VIEW



DECK AREA 10.35m²
APPROX. WEIGHT 750kg

SECTION AA

FOR ADDITIONAL ASSEMBLY DETAILS, REFER TO THE FOLLOWING DRAWINGS.
FRAME AND DECK- A4-1503

FASTENERS REQUIRED.		
PART No.	ITEM	QTY. REQD.
737	3/8" BOLTx3 1/2"	16
797	3/8" BOLTx4"	12
372	1" WASHER	12
296	1 1/2" WASHER	44
371	3/8" NYLOC NUT	28
729	DECK SCREW	175
731	BUFFER SCREW	19

NOTE-ALL STRUCTURE IS FULLY WELDED WITH A NOMINAL FILLET OF 5mm
-ALL EXTRUSIONS ARE OF GRADE 6063-T5, FILLER ALLOY IS 5356
-ALL TIMBER IS TO BE TREATED WITH A SUITABLE PRESERVATIVE. (CREOSOTE, DECKING PAINT, ETC)
-ALL FASTENERS ARE CORROSION RESISTANT STAINLESS STEEL.
-ALL EXPOSED BOLTS ARE TO BE RECESSED INTO THE TIMBER BY COUNTER BORING.
-ALL BOLT THREADS ARE TO BE TREATED WITH ANTI-SIEZE OR EQUIVALENT LUBRICATING COMPOUND PRIOR TO FASTENING.
-THIS DRAWING IS FOR A PONTOON OF TYPICAL DESIGN. ENGINEERING EVALUATION SHOULD BE PERFORMED FOR THE PONTOONS SUITABILITY FOR EACH PARTICULAR INSTALLATION.

**MARINE DOCK SYSTEMS
PTY LTD**

2.5m x4.1m PONTOON
4 x1200L FLOATS

PONTOON-2960



SCALE	N.T.S.	DWG	A4-2960	
DRAWN	J.P.M	REV	A	22,6,01
DATE	22,6,01	CHK		APP'D