

COPYRIGHT ALL RIGHTS RESERVED

NOTE—ALL ALUMINIUM EXTRUSIONS ARE OF GRADE 6063-T5 OR EQUIVALENT.
 —ALL STRUCTURE IS FULLY WELDED WITH A NOMINAL FILLET OF 5mm.
 —FILLER ALLOY IS GRADE 5356.
 —EQUIPMENT HOIST AND MIXER MAST IS HOT DIP GALVANIZED.
 —ALL FASTENERS ARE 304SS
 —DECKING IS AMPLIGRIP 201 SERIES.
 —PONTOON FRAME AND EQUIPMENT HOIST IS INSULATED WITH 3mm INSERTION RUBBER.
 —FLOTATION MODULES ARE MARINE DOCK SYSTEMS 550L POLYETHYLENE MODULE WITH POLYURETHANE FOAM FILLING.

MARINE DOCK SYSTEMS
 FLOTATION MODULE
 FLO550-1052
 FOAM FILLED-804
 4 REQD.

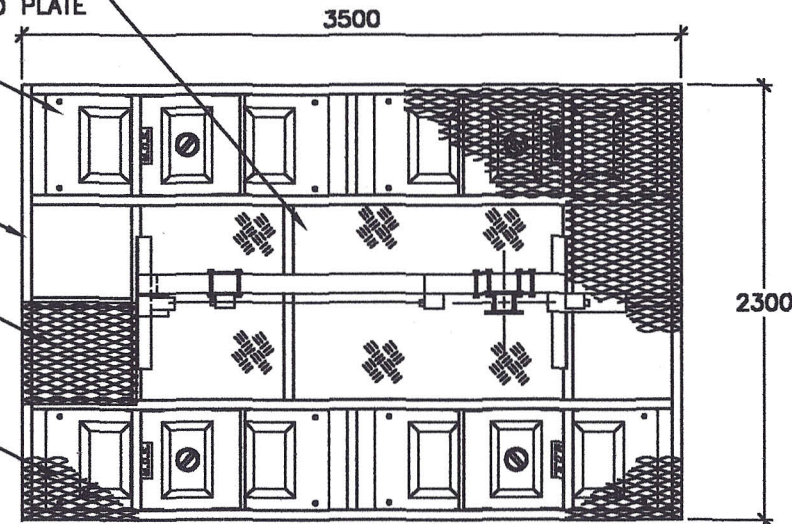
VOID INFILL
 ALUMINIUM
 TREAD PLATE

DO NOT SCALE

ALUMINIUM FRAME
 150x50x3 RHS

REMOVABLE DECKING
 TO ALLOW ACCESS TO
 VALVE

DECKING
 AMPLIGRIP
 EXPANDED MESH



SAFETY CHAIN
 MIXER END ONLY

JARRETT
 LOAD BRAKE
 WINCHES

ADJUSTABLE
 PUMP MOUNT

ADJUSTABLE
 MAST MOUNT

MIXER MAST-956
 MS GALV.

ALTERNATIVE
 WINCH LOCATION
 FOR REVERSED
 MIXER OPERATION

EQUIPMENT
 HOIST-1800
 GALVANIZED MS

HANDRAIL
 ALUMINIUM

TETHER AND
 LIFTING BRACKET

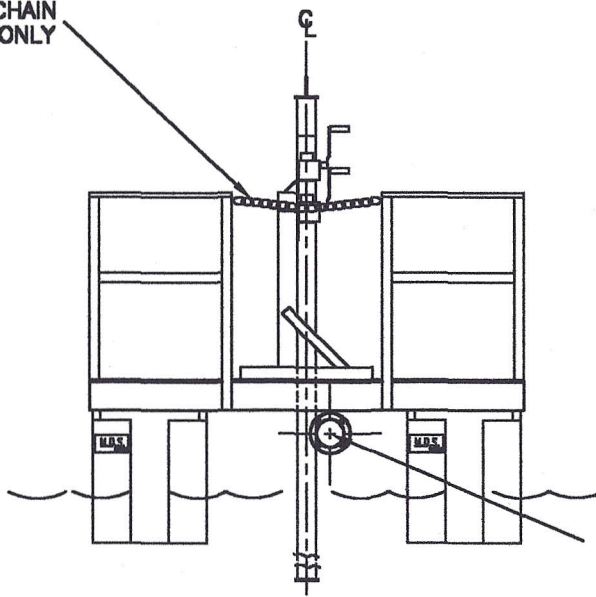
500

990

613

250 NOMINAL

HANDRAIL NOT
 FULLY SHOWN



DISCHARGE LINE

MARINE DOCK SYSTEMS
 PTY LTD

SLUDGE POND
 PONTOON

PONTOON-2933



SCALE	N.T.S.	DWG	A4-2933	
DRAWN	J.P.M	REV	A	16,7,03
DATE	16,7,03	CHK	APP'D	