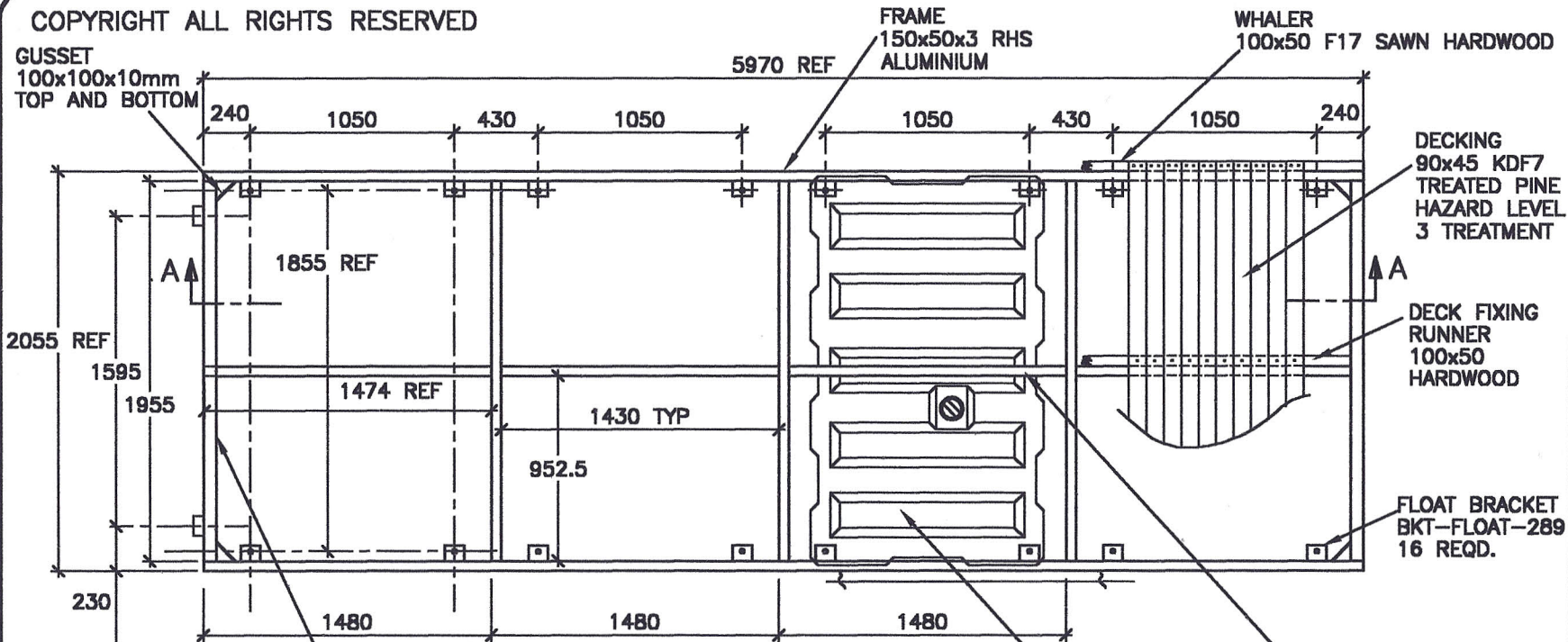


COPYRIGHT ALL RIGHTS RESERVED

DO NOT SCALE



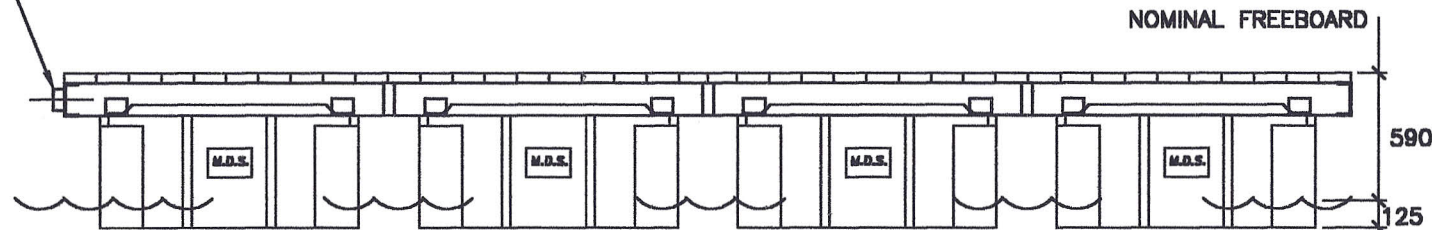
FOR ADDITIONAL ASSEMBLY DETAILS, REFER TO THE FOLLOWING DRAWINGS.
 FLOAT AND DECK- A4-1503
 COMTOR- A4-1877

FASTENERS REQUIRED.

PART No.	ITEM	QTY. REQD.
737	3/8" BOLTx3 1/2"	16
370	3/8" BOLTx4"	12
742	3/8" BOLTx4-1/2"	12
372	1" WASHER	48
296	1 1/2" WASHER	32
371	3/8" NYLOC NUT	40
729	DECK SCREW	210
731	BUFFER SCREW	42


NOTE:
 -ALL STRUCTURE IS FULLY WELDED WITH A NOMINAL FILLET OF 5mm
 -ALL EXTRUSIONS ARE OF GRADE 6063-T5 OR EQUIVALENT.
 -FILLER ALLOY IS GRADE 5356
 -ALL TIMBER IS TO BE PRESERVATIVE TREATED
 -ALL FASTENERS ARE CORROSION RESISTANT STAINLESS STEEL.
 -ALL EXPOSED BOLTS ARE TO BE RECESSED INTO THE TIMBER BY COUNTER BORING.
 -ALL BOLT THREADS ARE TO BE TREATED WITH ANTI-SIEZE OR EQUIVALENT LUBRICATING COMPOUND, PRIOR TO FASTENING.
 -THIS DRAWING IS FOR A PONTOON OF TYPICAL DESIGN. ENGINEERING EVALUATION SHOULD BE PERFORMED FOR THE PONTOONS SUITABILITY FOR EACH PARTICULAR INSTALLATION.

PLAN VIEW



SECTION AA

DECK AREA 12.86m²
 APPROX. WEIGHT 850kg

MARINE DOCK SYSTEMS PTY LTD	6.0m x 2.1m WALKWAY 4 x 1200L FLOATS	PONTOON -2709 WALKWAY SECTION		SCALE	N.T.S.	DRAWING No.	
				DRAWN	J.P.M	A4-2709	
				DATE	19,3,99	REV	A