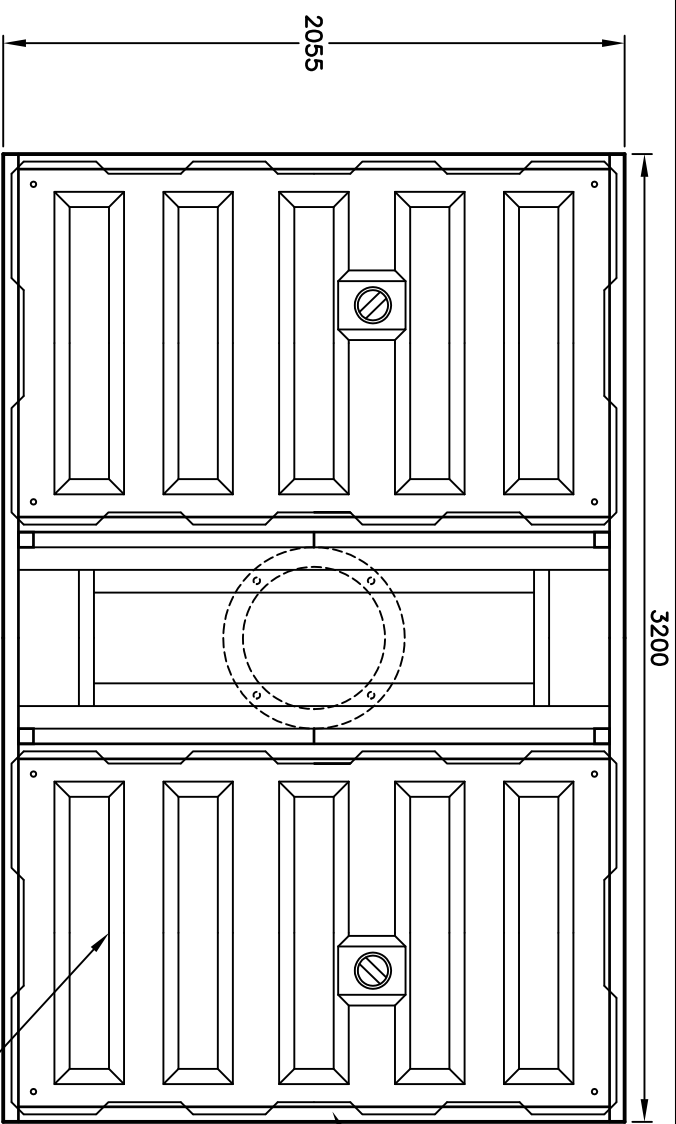
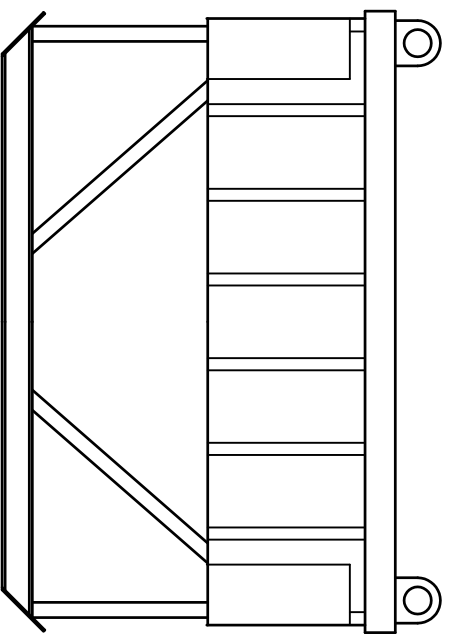


- NOTE:
- ALL PONTOON FRAME STRUCTURE IS MILD STEEL.
  - ALL STRUCTURE IS FULLY WELDED WITH A 6mm FILET.
  - AFTER FABRICATION, ALL MILD STEEL TO BE CLASS 2.5 BLAST- INTERNAL AND EXTERNAL, THEN PRIMED AND FINISHED 250 MICRONS -DULUX DUREMAX G.P.E - COLOUR GREY.
  - ALL FASTENERS ARE 316SS.
  - PRIOR TO FASTENING, ALL BOLT THREADS ARE TO BE LUBRICATED WITH ANTI-SIZE OR EQUIVALENT COMPOUND TO PREVENT GALLING/SIZING WHILE FASTENING
  - ALL FASTENERS ARE FITTED WITH NYLOC NUTS
  - FLOTATION MODULES ARE MARINE DOCK SYSTEMS ROTA-MOULDED POLYETHYLENE, 1200L FOAM FILLED WITH CLOSED CELL POLYURETHANE.

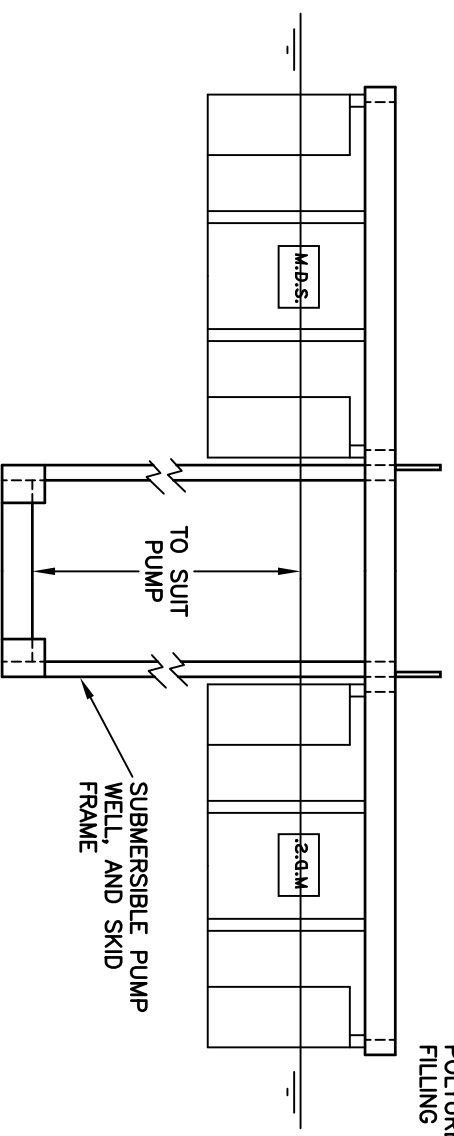


PLAN

CONCEPT ONLY



PROFILE



FRONT VIEW

**MARINE DOCK SYSTEMS**  
**PTY LTD**

**PUMP PONTOON**  
**2.0m x 3.2m**

**PONTOON-2423-2**



SCALE	N.T.S.	DWG	<b>A4-2423-2</b>	
DRAWN	J.P.M	REV	A	30,8,00
DATE	30,8,00	CHK		APP'D