

COPYRIGHT ALL RIGHTS RESERVED

ALL WELDS 5mm

DO NOT SCALE

NOTE—ALL STRUCTURE IS FULLY WELDED

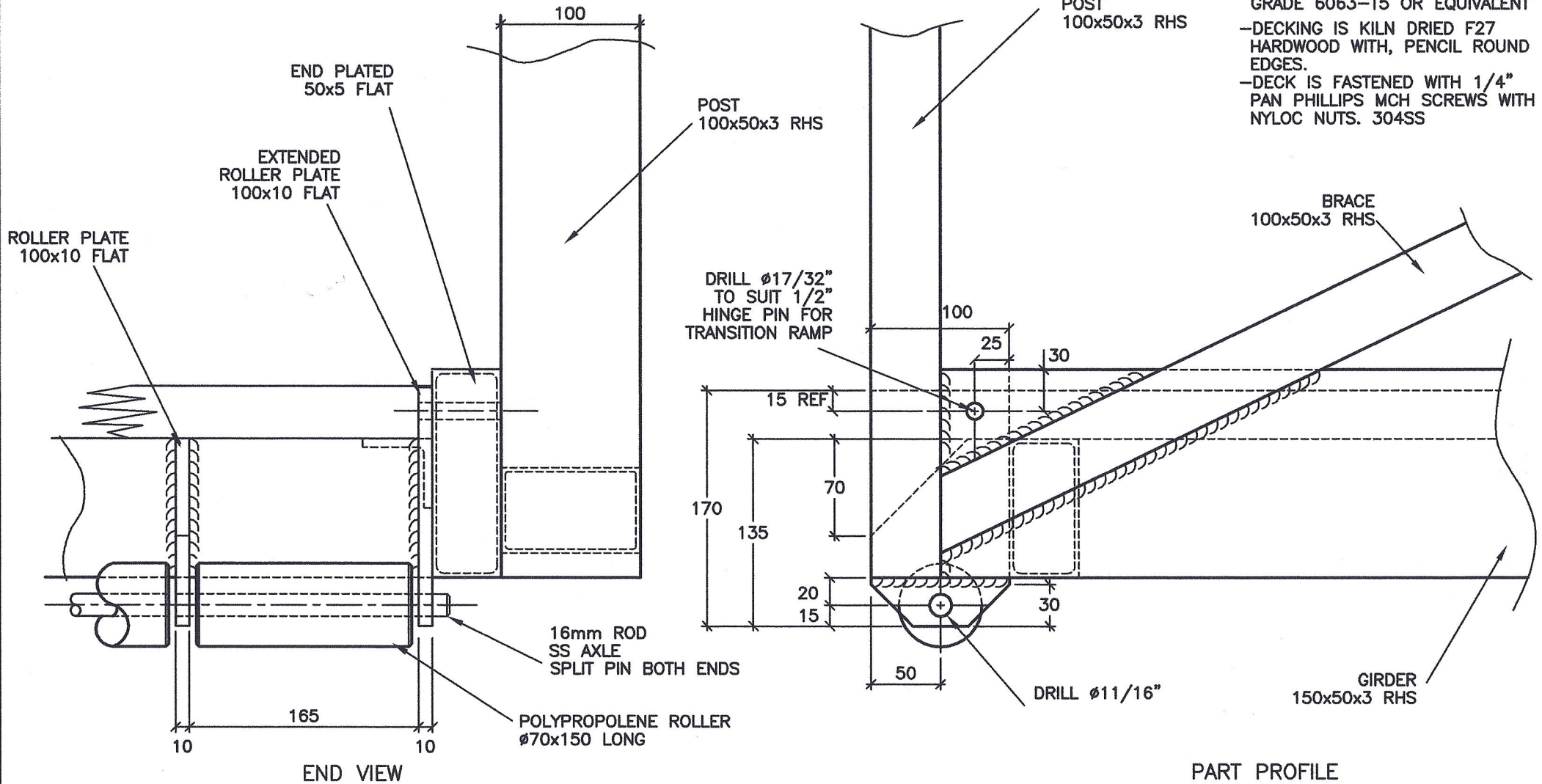
—NOMINAL FILLET WELD SIZE IS TO BE 5mm.

—FILLER ALLOY IS TO BE OF GRADE 5356.

—ALL EXTRUSIONS ARE TO BE OF GRADE 6063-T5 OR EQUIVALENT

—DECKING IS KILN DRIED F27 HARDWOOD WITH, PENCIL ROUND EDGES.

—DECK IS FASTENED WITH 1/4" PAN PHILLIPS MCH SCREWS WITH NYLOC NUTS. 304SS



**MARINE DOCK SYSTEMS
PTY LTD**

**ACCESS RAMP
DETAIL**

WHEEL DETAIL



SCALE	N.T.S.
DRAWN	J.P.M
DATE	16,6,98

DRAWING No.

A4-1577

REV	C
-----	---