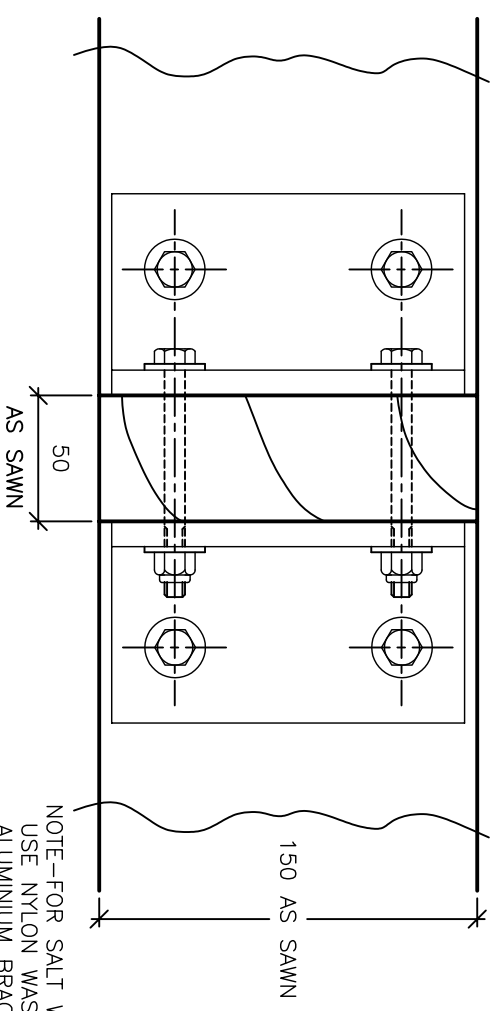
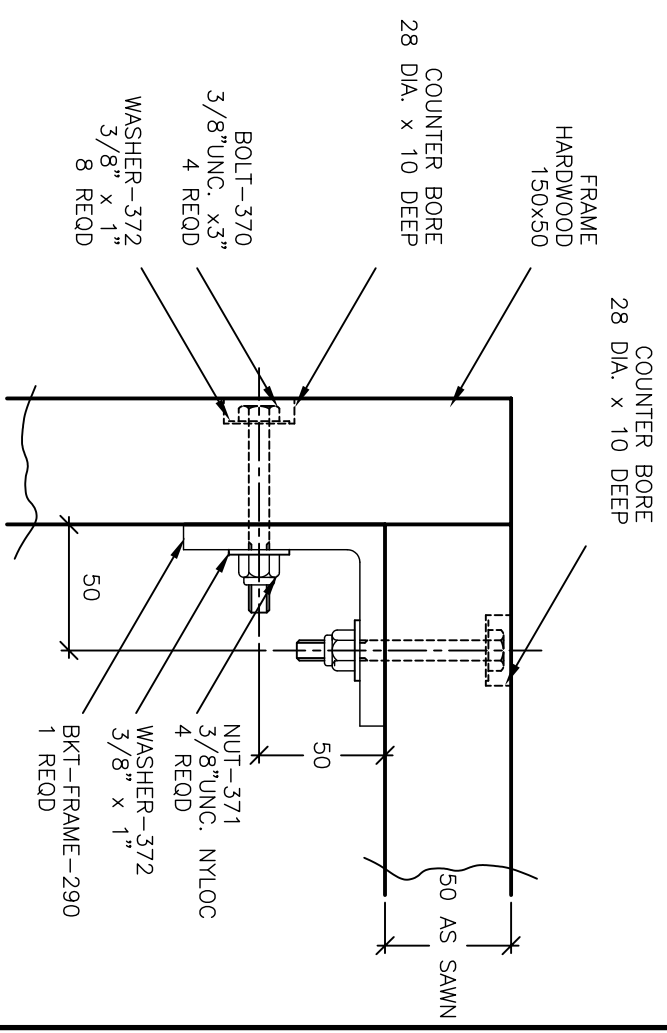
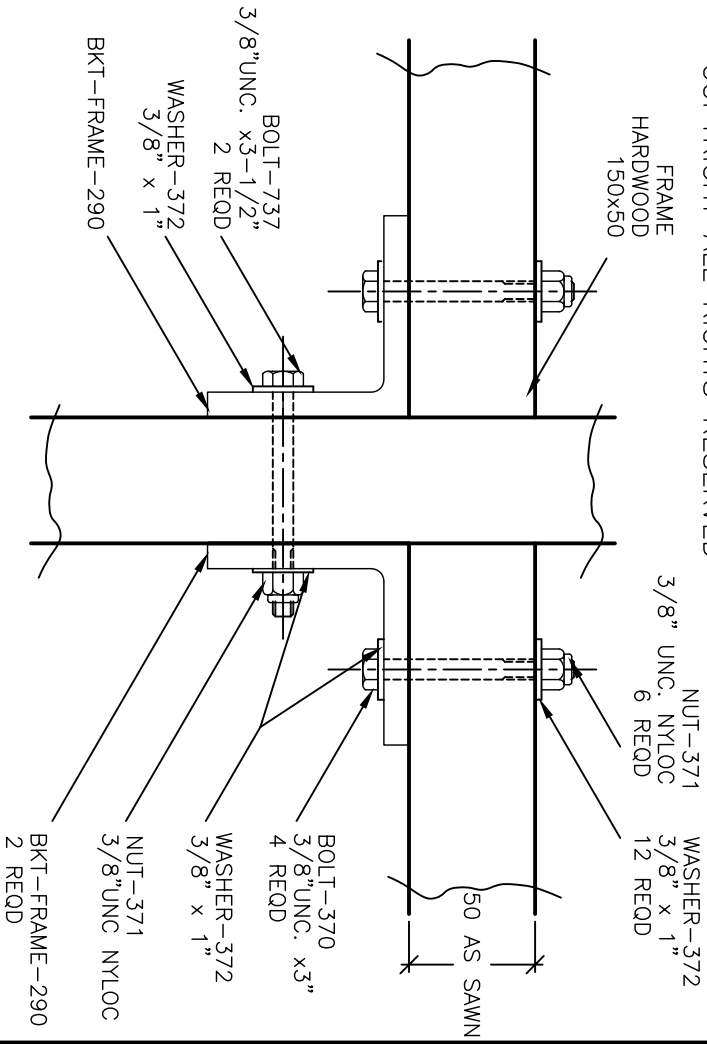


COPYRIGHT ALL RIGHTS RESERVED

DO NOT SCALE.



NOTE-FOR SALT WATER ENVIRONMENTS, USE NYLON WASHERS BETWEEN THE ALUMINIUM BRACKET AND STAINLESS WASHERS

**CORNER BRACKET DETAIL**

NOTE -ALL FASTENERS ARE CORROSION RESISTANT STAINLESS STEEL.

**CROSS MEMBER DETAIL**

**MARINE DOCK SYSTEMS**  
PTY LTD

**FRAME ASSEMBLY**  
DETAIL

**BKT-FRAME-290**



SCALE	N.T.S.	DRAWING No.	
DRAWN	BJM	<b>A4-736</b>	
DATE	08.07.97	REV	B