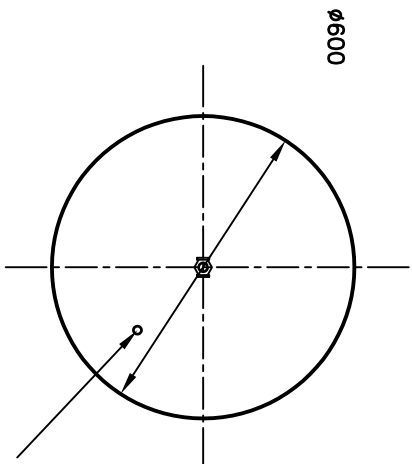
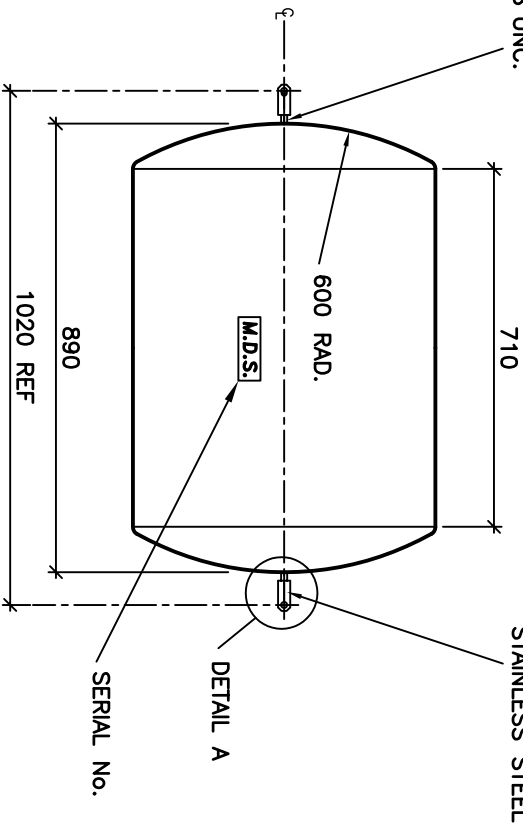


FLOAT ROD-1168
STAINLESS STEEL
5/8"UNC.



3/4" BSP BUNG
BUNG-1167

NOMINAL WALL
THICKNESS 6mm

WARNING-TTHIS FLOTATION MODULE HAS BEEN DESIGNED TO FORM PART OF AN INTEGRATED SYSTEM.

THE MODULES STRUCTURAL INTEGRITY, FLOTATION CAPABILITY, STABILITY AND OTHER PROPERTIES ARE A FUNCTION OF THE APPLIED LOADINGS AND THE METHOD OF THE MODULES MOUNTING AND APPLICATION.

MARINE DOCK SYSTEMS PTY.LTD. CANNOT GUARANTEE THE PERFORMANCE OF THIS MODULE UNLESS THE COMPANY PROVIDES WRITTEN ENGINEERING CERTIFICATION FOR ITS INSTALLATION.

OPTIONS-STANDARD FLOATS ARE HOLLOW.
-FOR ADDITIONAL FLOTATION SECURITY, FLOATS CAN BE FOAM FILLED. 804
-FOR ADJUSTING PONTOON TRIM, FLOATS CAN BE FILLED WITH BALLAST.
MATERIAL-FLOTATION MODULES ARE MANUFACTURED BY ROTATIONAL CASTING.

-FLOTATION MODULES ARE MANUFACTURED FROM U.V. STABILISED, HIGH STRESS CRACK RESISTANT, LINEAR POLYETHYLENE.
-STANDARD COLOUR- ORANGE
OTHER COLOURS ARE MADE TO ORDER.
-APPROX. WEIGHT -13.5kg
-DUE TO THE MANUFACTURING PROCESS, FLOAT DIMENSIONS MAY VARY.
FOR TECHNICAL INFORMATION CONSULT MARINE DOCK SYSTEMS. PH.(02) 9627 5577

PROFILE

END VIEW

REGD. DESIGN

MARINE DOCK SYSTEMS
PTY LTD

FLOTATION MODULE
230 LITRE

FLO230-187



SCALE	N.T.S.
DRAWN	BJM
DATE	26.5.97

DRAWING No.	
REV	B
A4-187	