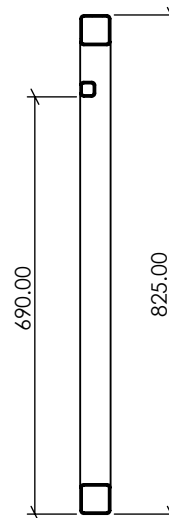
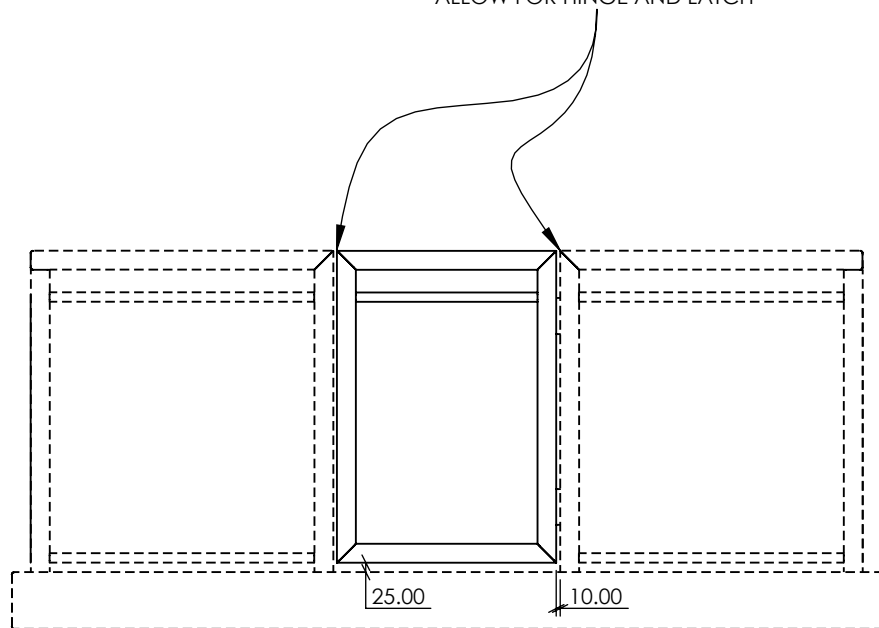


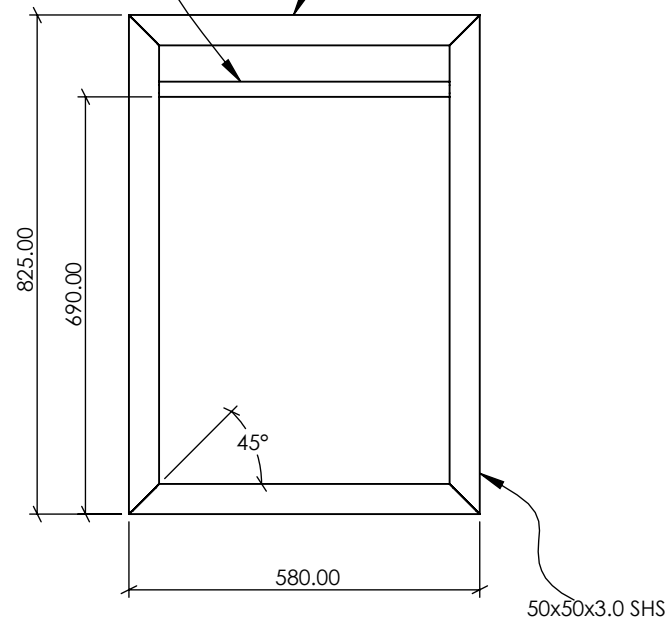
10MM GAP ON BOTH SIDES TO ALLOW FOR HINGE AND LATCH



SECTION A-A
SCALE 1 : 12.5

25x25x3.0 SHS ALUMINIUM

25x25x3.0 SHS ALUMINIUM



NOTE -STRUCTURE IS TO BE FULLY WELDED. HOLES ARE TO BE DRILLED ON UNDERSIDE OF MEMBERS TO ALLOW FOR WATER AND MOISTURE TO ESCAPE.

MARINE DOCK SYSTEMS
PTY LTD

PONTOON BOAT

GATE SHS TOP
W/ WHITE PANELS



SCALE N.T.S
DRAWN M.N
DATE 14/08/23

DRAWING NO.

7123

REV