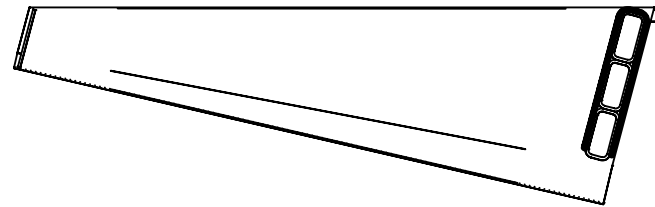
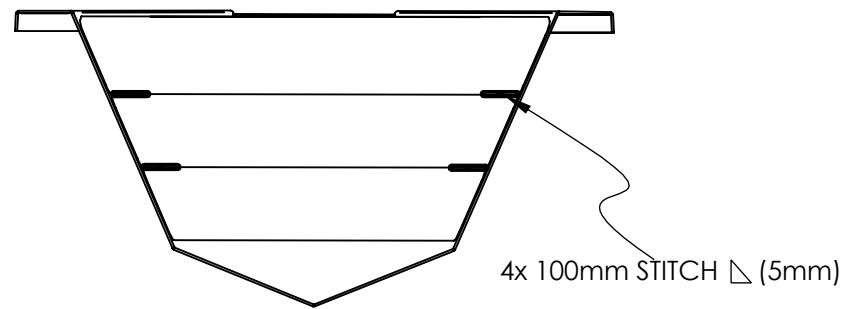
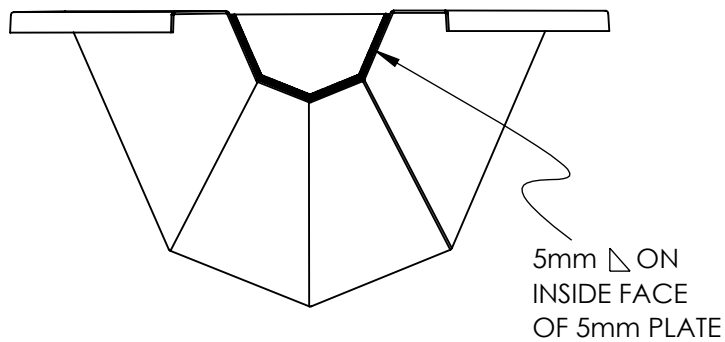
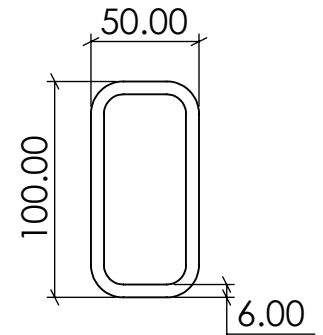


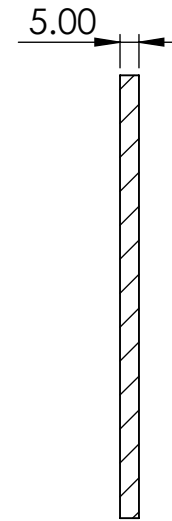
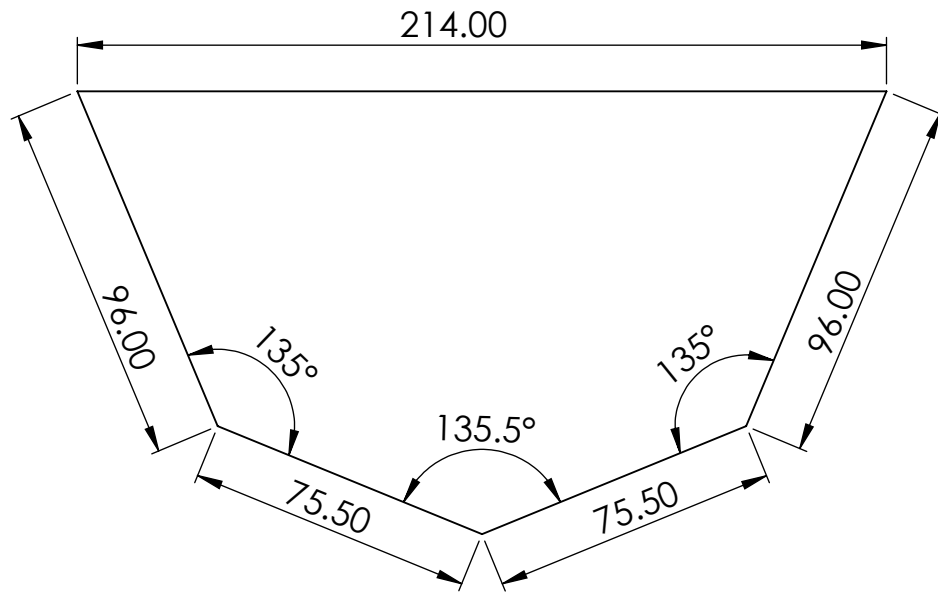
**NOTE:**

WELD 3 OFF 100X50X3.0  
PIECES ON THE BACK SIDE  
LEAVING A VOID AT THE  
BOTTOM FOR WATER TO  
ESCAPE



SECTION A-A





SECTION B-B

**MARINE DOCK SYSTEMS  
PTY LTD**

**MOTOR BRACKET**

**FULL LENGTH**



SCALE N.T.S

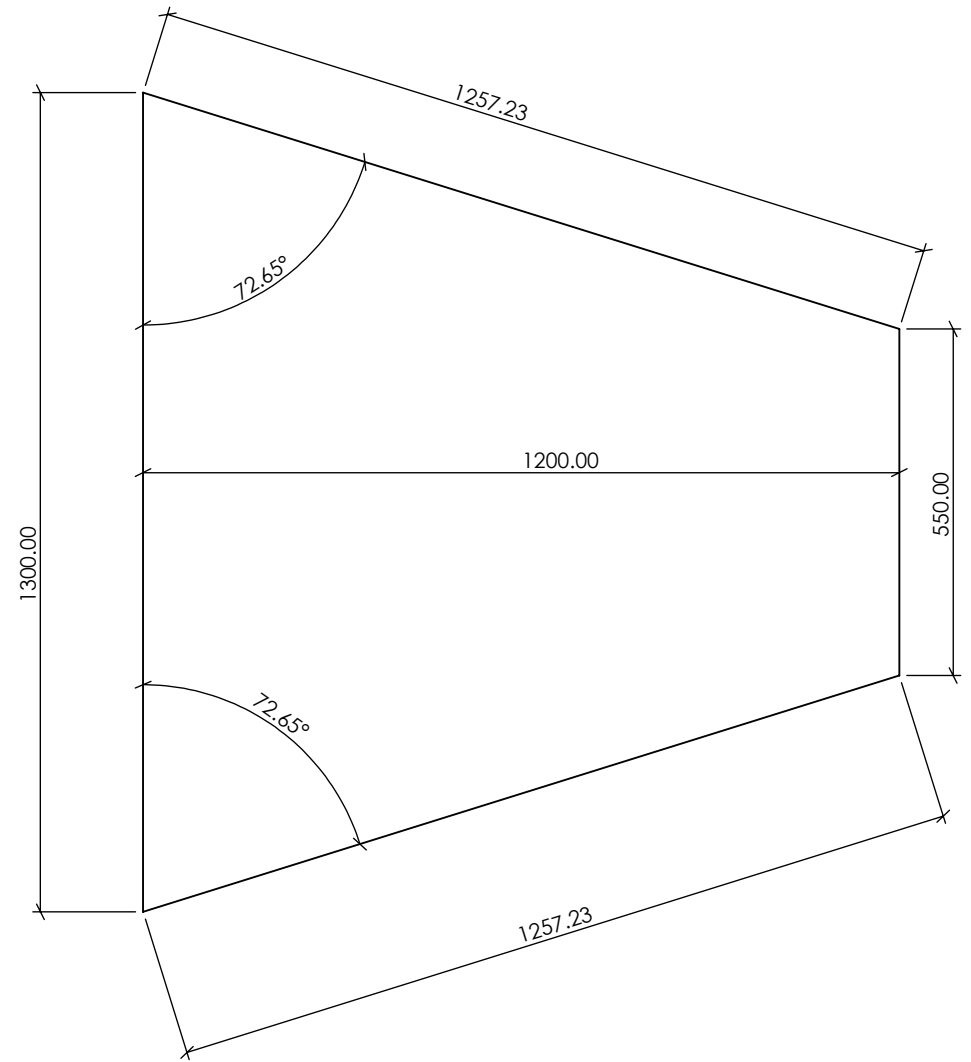
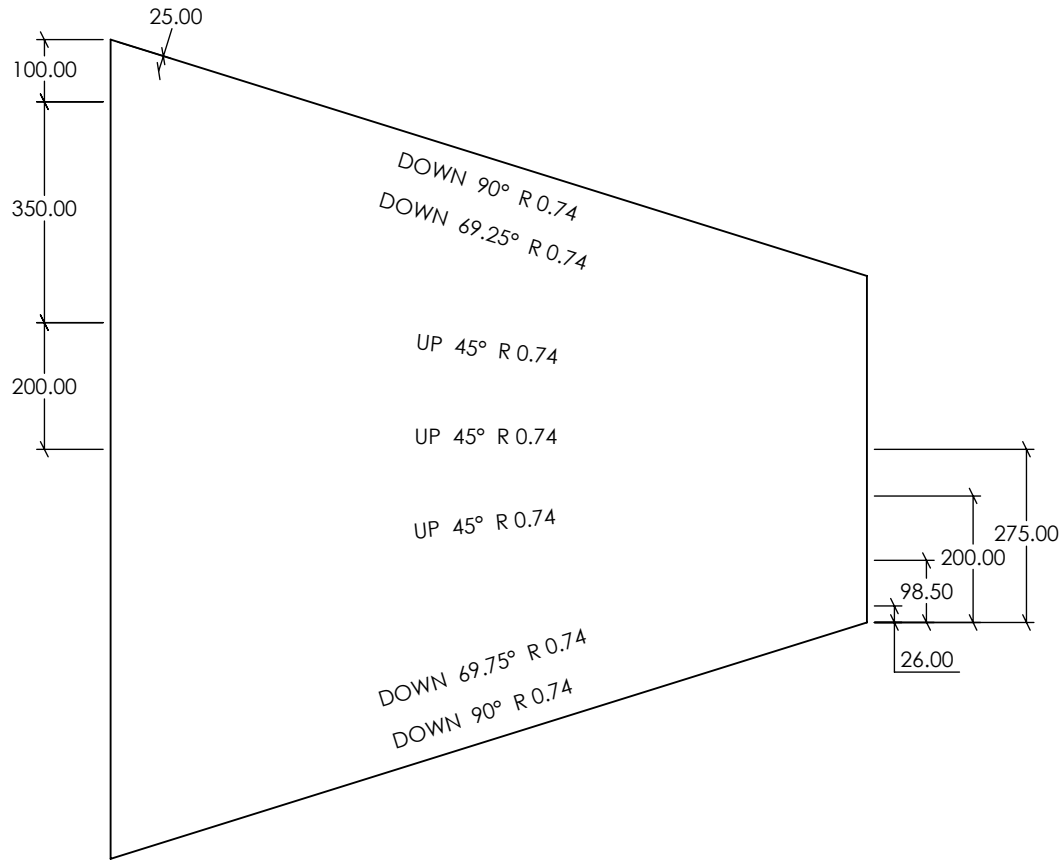
DRAWN M.N

DATE 13/07/23

DRAWING NO.

7085

REV



**MARINE DOCK SYSTEMS  
PTY LTD**

**MOTOR BRACKET**

**FULL LENGTH**



SCALE N.T.S

DRAWN M.N

DATE 13/07/23

DRAWING NO.

7086

REV